

ASSEMBLY INSTRUCTIONS

AcreEase

Kunz Engineering Inc.

Mendota, IL

Wetlands Kit
003905

12/20



READ THE COMPLETE ASSEMBLY INSTRUCTIONS BEFORE STARTING THE ASSEMBLY.

You should have the following parts with the wetlands kit:

- one rear tire extension with hardware
- two caster assemblies
- two 15/600 x 6 tires with hardware



The rough cut mower will not float with the wetlands kit installed. Do not go into water deeper than 2-3”.



Before doing any installations or adjustments shut off mower engine.

A. INSTALL REAR TIRE EXTENSION (Refer to figure 1)

1. Block the mower deck up to allow for easy tire removal. Remove the right rear tire assembly and save the tire for step 2.
2. Insert the rear tire extension into the lower rear opening of the right carrier arm. Align the hole on the rear tire extension with the hole on the carrier arm. Place a 5/8” x 7.5” bolt through the aligned holes in the correct orientation shown in figure 1. Place a 5/8” x 7.5” bolt in the other available rear tire extension hole using the correct orientation shown in figure 1.
3. Install both tires in the following order and fasten securely. (cup washer, washer, tire, washer & lock nut)

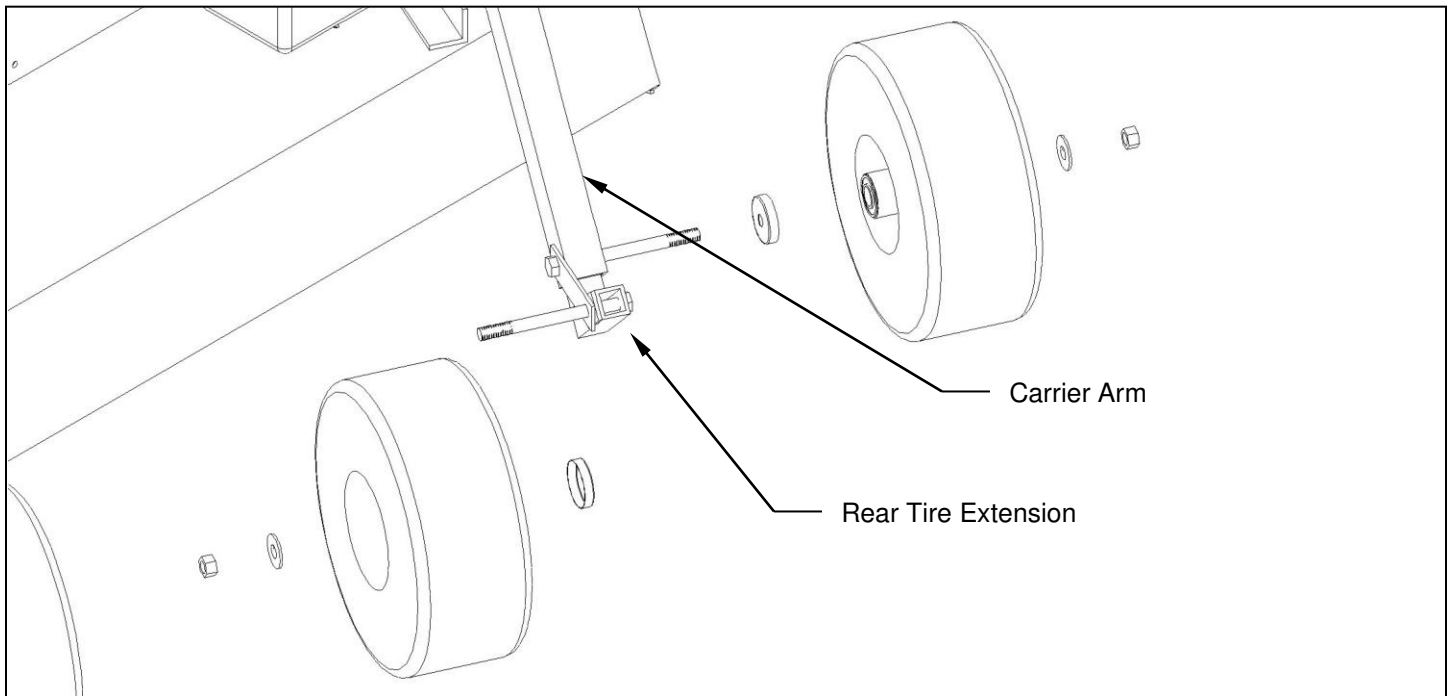


Figure 1. Right Rear Tire Extension

B. INSTALL FRONT CASTERS (Refer to figure 2)

1. Remove the single split collar that holds the front caster assemblies in place and remove the caster assemblies. On older models there may be a cotter pin that needs to be removed at the top of the caster assembly.

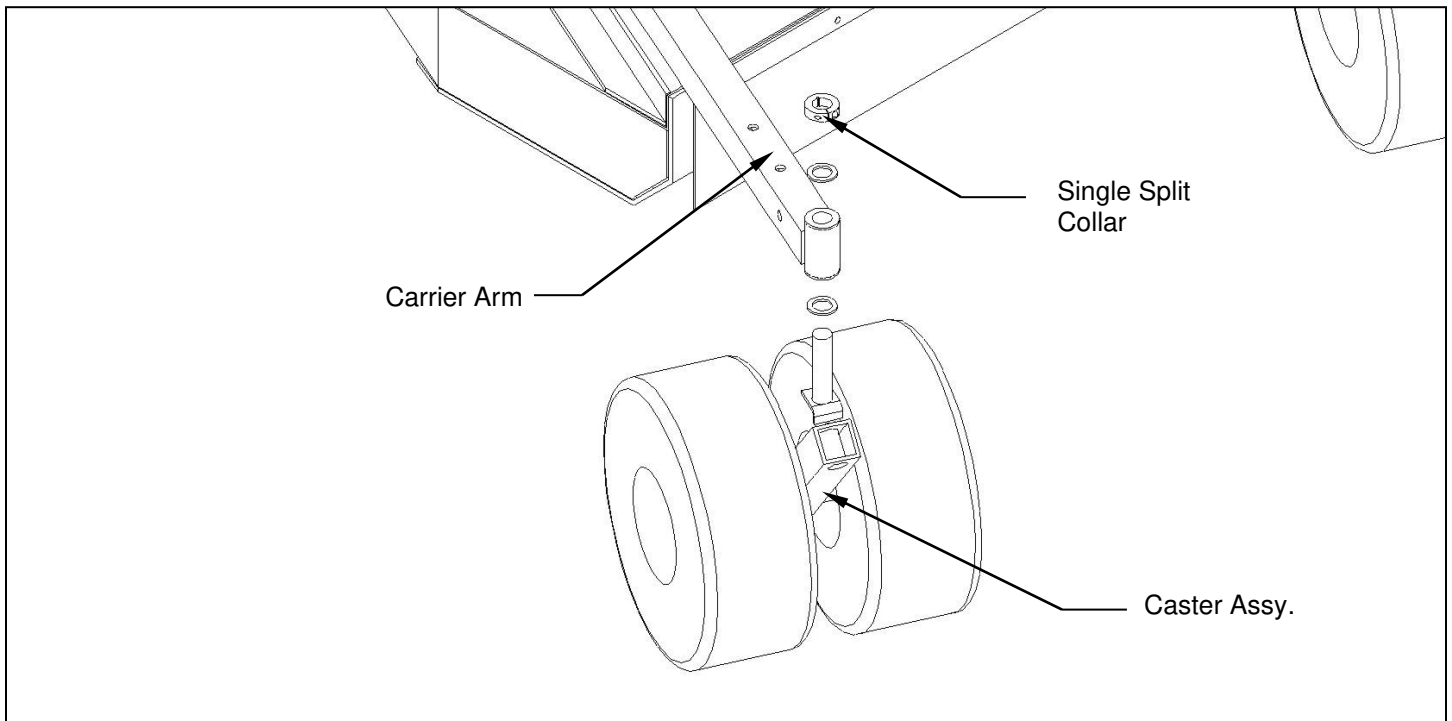


Figure 2. Assembly of Front Caster

2. Install a new caster assembly on both sides of the mower in place of the old caster assemblies. Place the thick washer on the bottom of the carrier arm and the thin washer on the top. Install the single split collar on each caster assembly and fasten securely.

C. INSTALL LEFT REAR TIRES (Refer to figure 3)

1. Remove the left rear tire assembly and save the tire for step 2.
2. For this step, use the 5/8" x 12" bolt provided. Install both tires in the following order and fasten securely. (bolt, washer, tire, washer, cup washer, carrier arm, cup washer, washer, tire, washer & lock nut)

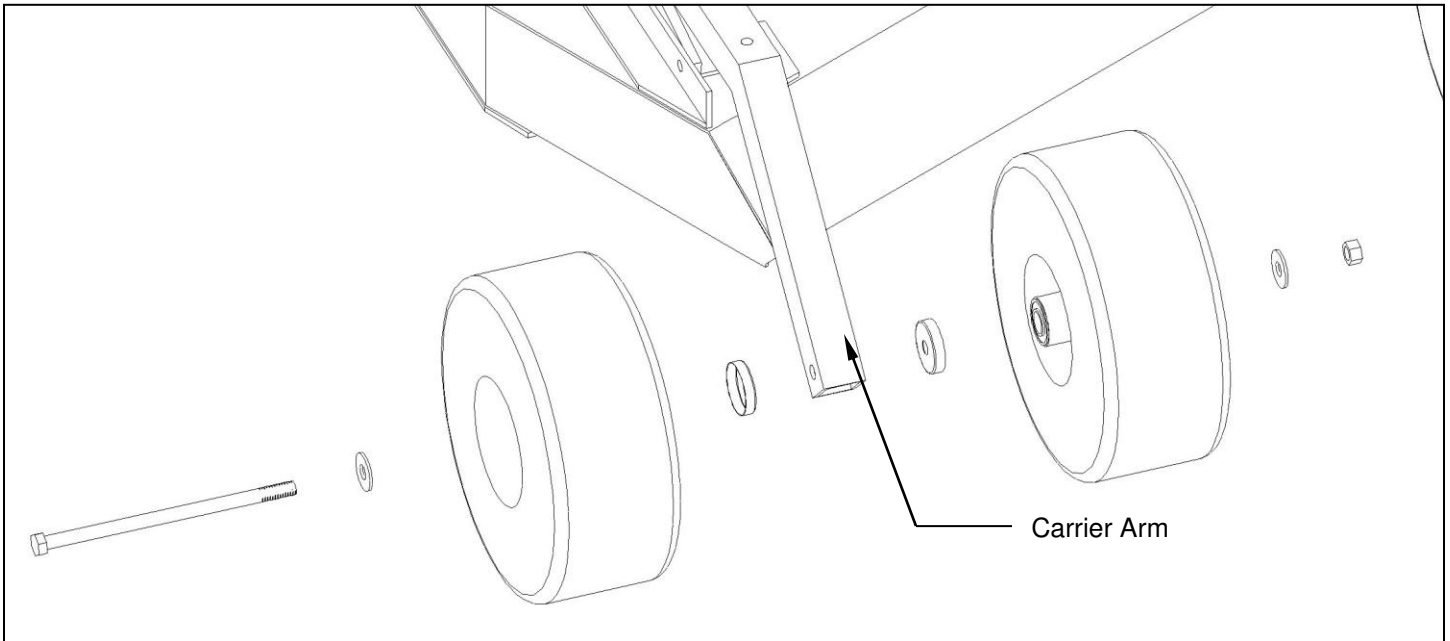
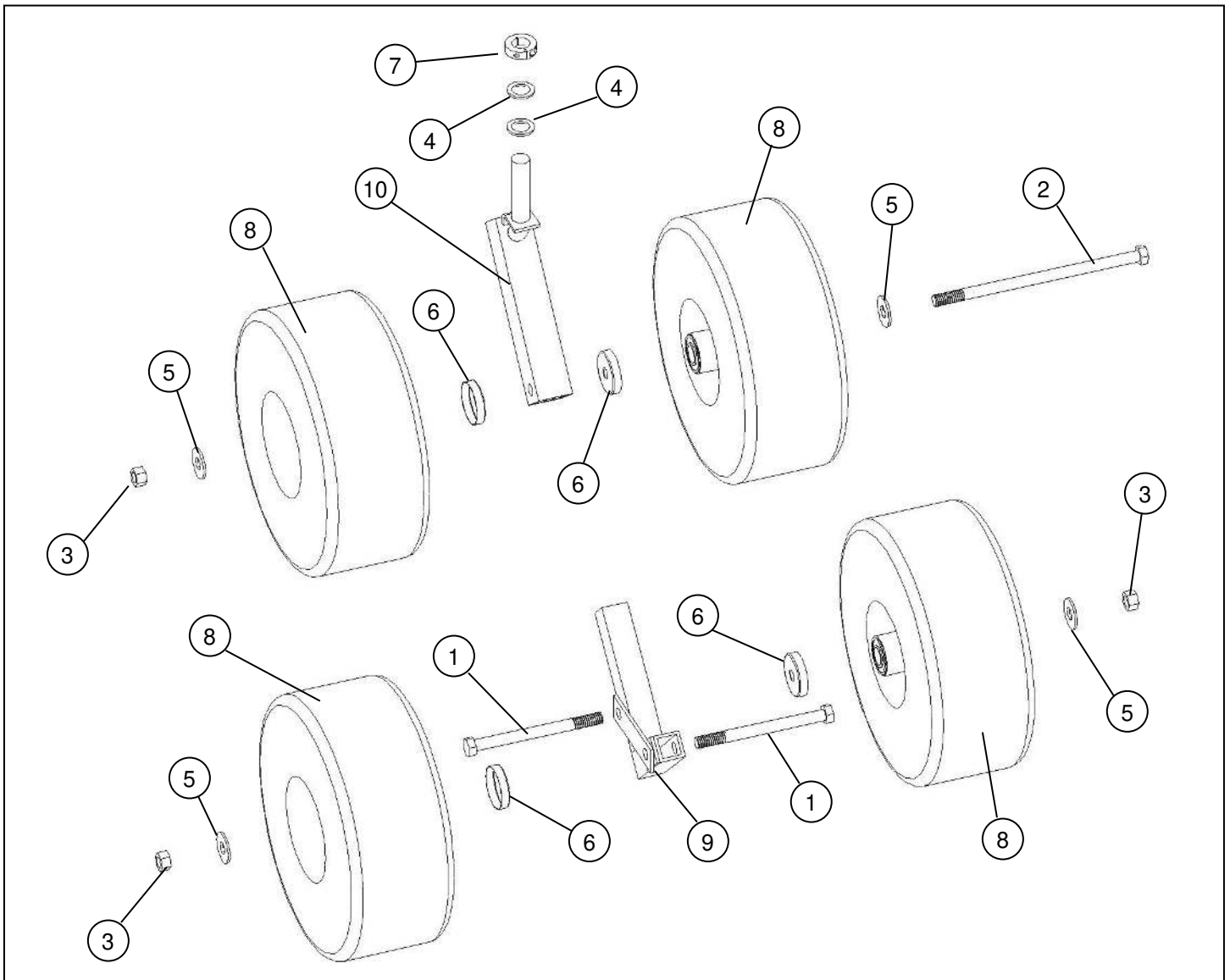


Figure 3. Assembly of Left Rear Tires



PARTS LIST

<u>Item</u>	<u>Part #</u>	<u>Description</u>	<u>Quantity</u>
1	202140	Hex Head Bolt 5/8" x 7.5"	2
2	202142	Hex Head Bolt 5/8" x 12.0"	3
3	212015	Centered Lock Nut 5/8"	5
4	214014	Machinery Washer 1" I.D. x 1.5" O.D. x 18 GA	4
5	214029	Standard Flat Washer 5/8"	8
6	214030	Cup Washer	8
7	222012	Single Split Collar 1" I.D. x 1/2" Thick	2
8	226012	Offset Wheel Assy. (15/600 x 6, 4 Ply Turf)	6
9	900091	Rear Tire Extension	1
10	900149	Caster	2