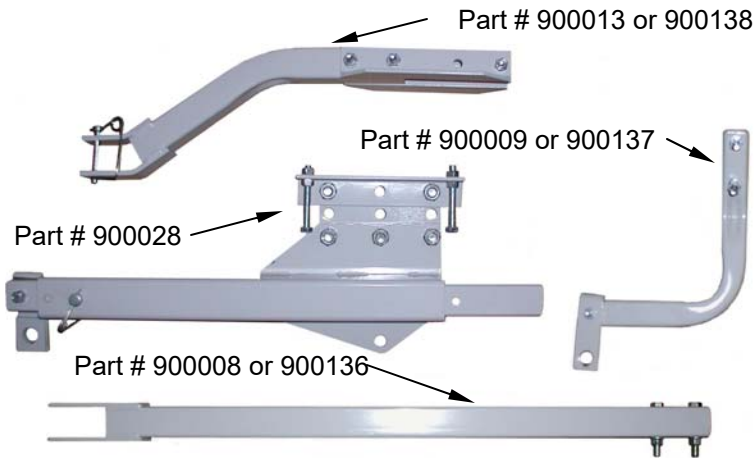


HITCHING FOR ACREASE FINISH MOWERS



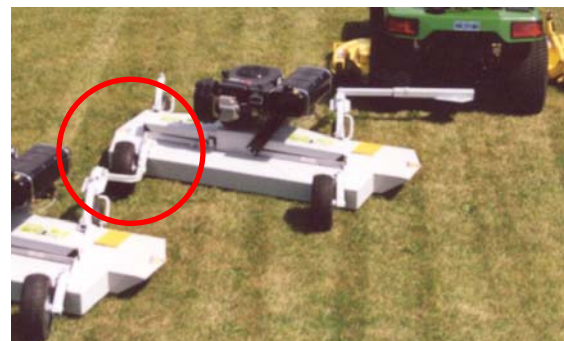
LAWN AND GARDEN HITCHING

Use on riding mowers and zero turn radius mowers (ZTR)

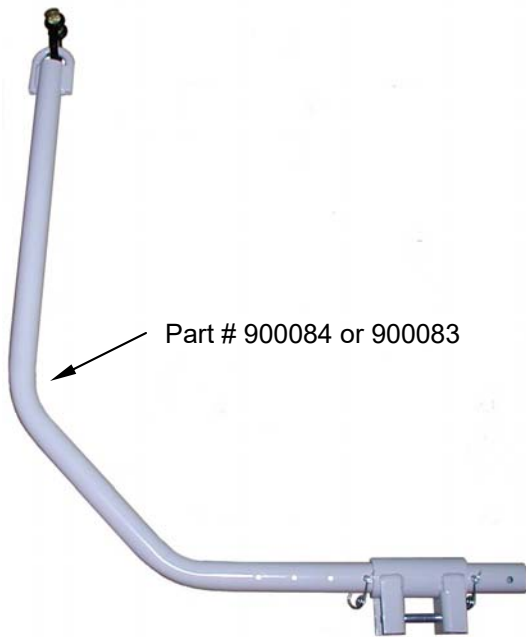
- The Lawn and Garden Hitching bolts directly to the existing hitch on any riding lawn mower or zero turning radius mower.
- Allows for close hitching of the AcEase and telescopes in or out to adjust for the tow vehicle's deck width.
- Provides a maneuverable quick response system with maximum stability at high mowing speeds and on steep banks.
- When pulling one wing mower (Models H40B, H60B & C60BE) use Part #'s 900013 & 900028. For the Models Pro60K use Part #'s 900138 & 900028.
- When pulling multiple wing mowers it is necessary to purchase additional hitching. The following pictures are suggested ways to pull multiple wing mowers with a tow vehicle that has a mower deck. For a complete description of the combination of hitches needed please refer to the following pages.



The long tongue extension (**Part # 900008 used on Models H40B, H60B & C60BE or Part # 900136 used on Models Pro60K**) is used when two AcEase are pulled (one on the left and one on the right). By extending the left side AcEase back, grass will not be blown onto the right side AcEase.



The rear hitch (**Part # 900009 used on Models H40B, H60B & C60BE or Part # 900137 used on Models Pro60K**) is used for hitching two AcEase in tandem (both off to the left side).



ATV TONGUE

Use on ATVs, Utility Vehicles, and all other tow vehicles without mowing decks.

- The ATV tongue hitches directly to the tow vehicles existing hitch with a clevis pin.
- Quick and easy initial installation.
- The ATV tongue can be quickly interchanged from the offset position to direct behind towing.



- Quick response maneuverability and stability at high mowing speeds and on steep banks may be reduced slightly.
- When pulling multiple wing mowers the ATV Tongue is not adequate. Please refer to the following page to see the combination of hitches needed to pull two wing mowers with a tow vehicle without a mower deck.
- The Models H40B, H60B C60BE use Part # 900084 and the Models Pro60K uses part # 900083.

Tow Vehicle without a Mower Deck



1 & 2 combined
or 5



1, 2, & 3 combined
or 5



2 & 4
combined

2 & 3
combined

Tow Vehicle with a Mower Deck

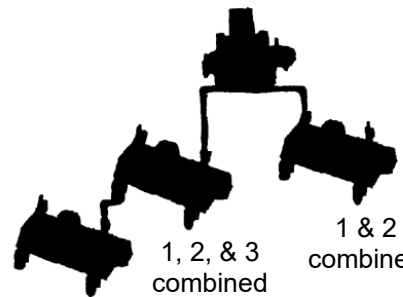


1 & 2 combined
or 5



1, 2, & 3
combined

1 & 2
combined



2 & 4
combined

1, 2, & 3
combined

1 & 2
combined

Listed above are all of the possible configurations of the wing mowers. The numbers listed below each wing mower correspond to the hitch or combination of hitches required to complete that possible configuration.

1. Tow Vehicle Hitch (Telescoping Hitch) (Part # 900028)
2. Short Tongue (Part # 900013 or 900138)
3. Long Tongue Extension (Part # 900008 or 900136)
4. Rear Hitch Assembly (Part # 900009 or 900137)
5. ATV Tongue Assembly (Part # 900084 or 900083)