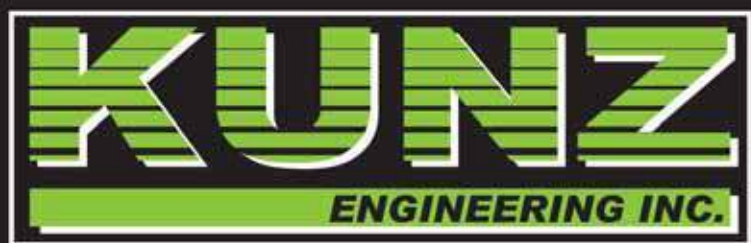


SUPERIOR QUALITY  
& PERFORMANCE



MOWERS & TILLAGE EQUIPMENT

# AcrEase

QUALITY PULL MOWERS

**IDEAL FOR BOTH COMMERCIAL AND HOMEOWNER USE ON LARGE LAWNS.** The AcrEase Finish Cut Mowers lead the industry in build quality and performance. Whether you pull an AcrEase behind a riding mower, zero turn mower or ATV, you will surely appreciate the durability and drastic time savings that the AcrEase Finish Cut Mowers can provide.

- 40"-60" high capacity deck design.
- 10.5 HP on 40" models and 18-23 HP on 60" models.
- Stable on steep banks, capable of modern high mowing speeds and easy to pull.
- Infinite height adjust from 1"-4" on homeowner and commercial models. Crank height adjust system adjusts from 1.5"-5" on professional models.
- Pull directly behind or offset to the side.
- Optional hitching and Floatation Kit available.
- **Made in the USA.**



40" HOMEOWNER MODEL

60" HOMEOWNER MODEL

60" COMMERCIAL MODEL

[www.kunzeng.com](http://www.kunzeng.com) • (815) 539-6954



60" PROFESSIONAL MODEL



Large 10.5 HP manual start engine on 40" model and 18-23 HP electric start engine options on 60" models.



Six anti-scalp wheels located under the deck, 3-20" blades and front and rear safety zones.



Blade spindles with large 25mm shafts for managing those tough mowing jobs.



Deep deck design with large side discharge provides a high quality finish cut.



Low profile design makes it easy to mow around and under low branch trees.

# FINISH CUT



# AcrEase

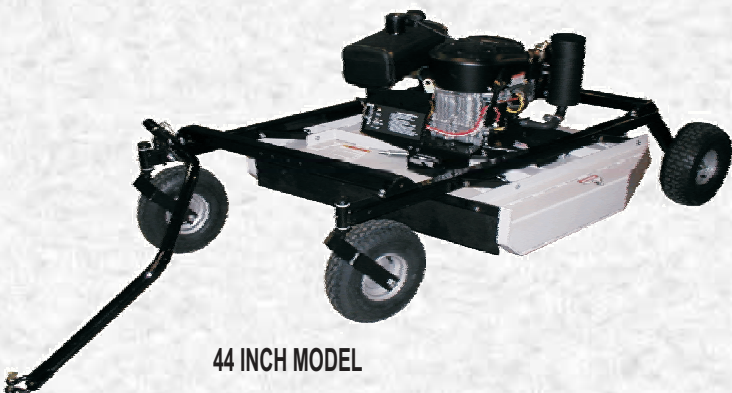
QUALITY PULL MOWERS

# ROUGH CUT

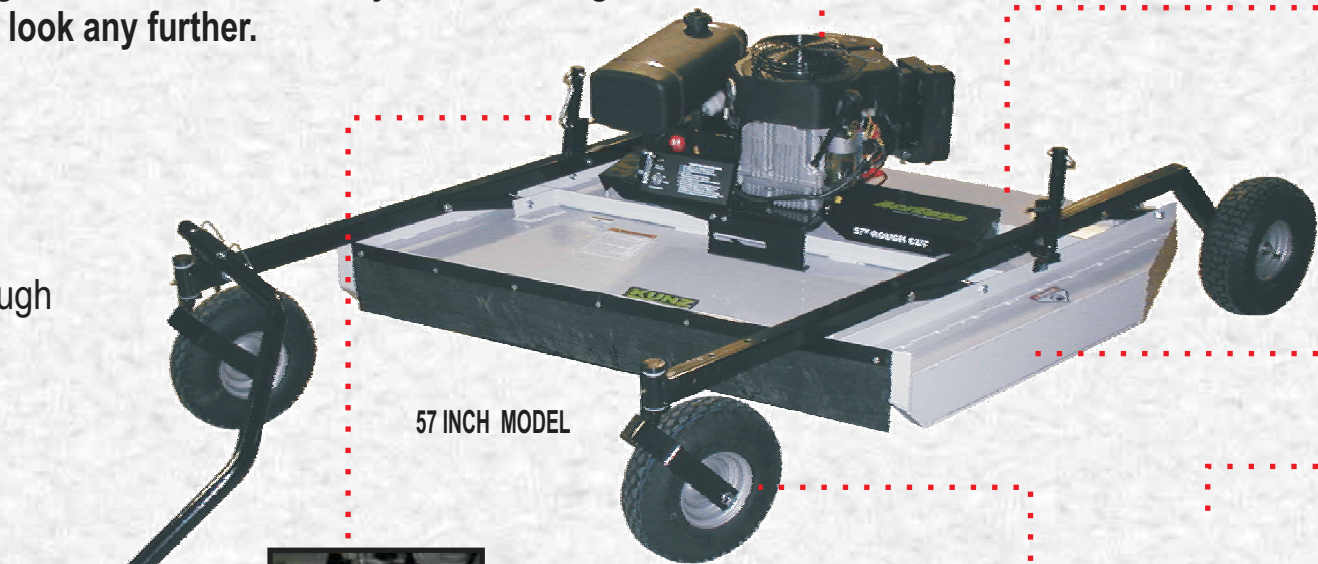
## IDEAL FOR TRAILS, FIELDS, FOOD PLOTS AND OTHER OVERGROWN AREAS.

The AcrEase Rough Cut Mowers are the heaviest built units in the industry that are truly high performance machines capable of handling extreme conditions. If you are looking for an industry leading beast, you don't need to look any further.

- Rugged 44" & 57" wide models.
- 19-27 HP electric start engine options.
- Handles up to 2" diameter saplings.
- Cutting height adjustable from 2"-8".
- Four tire design for added support on rough ground.
- Pull directly behind or offset to the side.
- Optional kits to customize.
- **Made in the USA.**



44 INCH MODEL



57 INCH MODEL



Cutting height is easily adjusted from 2" to 8" by turning a single crank on the 44" models and two cranks on the 57" models.



Large 19-20 HP electric start engine options on 44" models and 23-27 HP electric start engine options on 57" models.



Twin blade design for added mulching. Also features front rubber safety flap and full width rear discharge.



Blade spindles with large 30mm shafts that are capable of handling 2" diameter saplings.



Four tire design provides an unobstructed trim edge on each side of the mower.



# Till-Ease

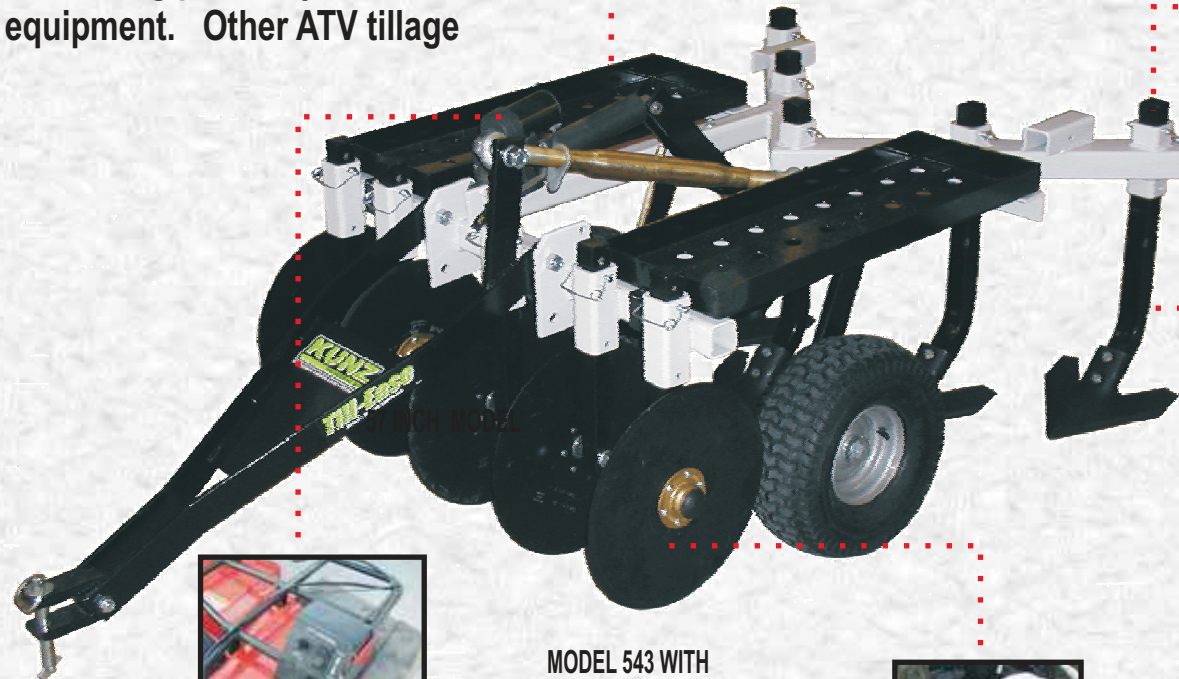
QUALITY TILLAGE EQUIPMENT

# TILLAGE

## IDEAL FOR FOOD PLOTS, LARGE GARDENS AND LANDSCAPERS.

The Till-Ease Model 543 Chisel Plow / Field Cultivator is an engineered product that has been designed to be very aggressive yet capable of being pulled by an ATV. The Model 543 is the next generation in ATV tillage equipment. Other ATV tillage equipment simply can not compare.

- Up to 6" depths, 43" wide.
- Rigid shanks that maintain a constant attack angle on the ground, allowing for ease of ground penetration and pulling.
- Five front cutting coulters for cutting light trash and reducing clod size.
- Tongue adjuster for different hitch heights and tool leveling.
- Pinned shanks for quick adjustments and easy removal.
- Weight racks to help with cutting coulters penetration in hard ground.
- Electric lift with ATV operator controls. Allows for rapid on-the-go depth changes.
- Comes standard with 9" sweeps and chisel points.
- Optional drag harrow and turning shovels.
- **Made in the USA.**



MODEL 543 WITH  
9" SWEEPS INSTALLED



Electric lift with ATV operator controls. Allows for rapid on-the-go depth changes.



Weight racks to help the cutting coulters better penetrate hard soil.



Shanks pin into a durable thick wall steel tubing construction.



Solid rigid shanks with chisel points mounted allows the Model 543 to break very hard ground.



Straight cutting coulters for cutting light trash and reducing clod size.





# CULTIPACKER

## IDEAL FOR USE WITH ANY BROADCAST SEEDING PROJECT.

Generate the proper seed-to-soil contact with a Till-Ease Model TP Cultipacker. Whether you are planting a wildlife food plot or seeding a new lawn, a Till-Ease cultipacker will help to achieve faster more dependable seed germination. You can rely on a Till-Ease cultipacker to accurately press seed into the seedbed and prevent over-burying.

- 48" or 72" wide packing width made up of individual agricultural quality cast iron packer wheels.
- Packer wheels have knobby design which provides recessed dimples in the soil for moisture retention.
- Optional kits allow the Model TP Cultipackers to be mounted to an ATV/UTV or tractor, all within a matter of minutes. Simply pin to the hitch on an ATV/UTV or 3-point mount to a tractor.
- Solid steel packer wheel shaft.
- Greasable agricultural quality bearings.
- **Made in the USA.**



[www.kunzeng.com](http://www.kunzeng.com) • (815) 539-6954



# OPTIONAL EQUIPMENT

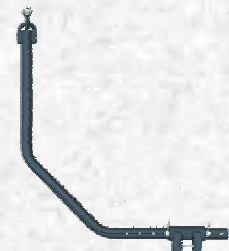
## FINISH CUT



## ROUGH CUT

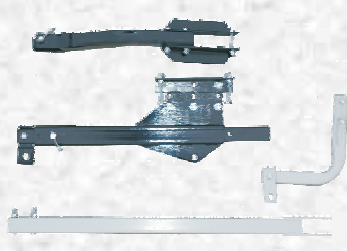


## MODEL 543



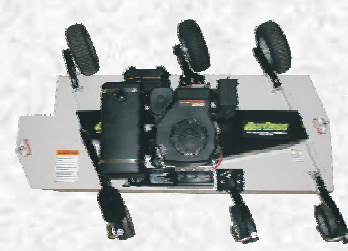
### ATV Tongue

- For use with ATVs, utility vehicles and other tow vehicles without mowing decks.
- The ATV Tongue hitches directly to the tow vehicles existing hitch with a clevis pin.
- Quick and easy initial installation.
- The ATV Tongue can be quickly interchanged from the offset position to direct behind towing.
- Several pieces of the Lawn & Garden Hitching are necessary to pull multiple mowers.



### L & G Hitching

- The Lawn & Garden Hitching is for use with riding mowers and zero turning radius mowers.
- Bolts directly to the hitch on the tow vehicle.
- Allows for close hitching of the AcrEase and telescopes in or out to adjust for the tow vehicles deck width.
- Provides a maneuverable quick response system with maximum stability at high mowing speeds and on steep banks.
- Additional hitching available for pulling multiple mowers either in a left and right configuration or in tandem.



### Floatation Kit

- Great anti-scalp feature that helps to carry the center section of the mower deck over crowned or peaked areas.
- Works well on rough uneven ground where added floatation is needed.
- Allows the mower to mow right up to the waters edge around ponds.
- Allows the outside set of tires to extend over curbs or drop-offs.
- Provides added traction on steep hill sides.
- Works on all existing and new finish cut mowers.



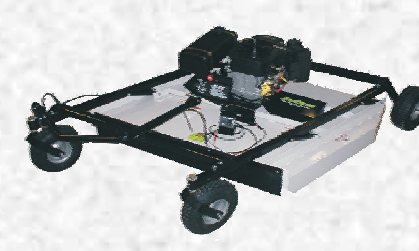
### Wetlands Kit

- Great for wetlands or marshy areas that stay wet all year around.
- Works well with small personal amphibious vehicles or tracked ATVs.
- More than doubles the tire surface area in contact with the ground.
- The rough cut mower will not float with the Wetlands Kit installed.
- With the Wetlands Kit installed the minimum cutting height is 3.5"-4".
- Works on all existing and new rough cut mowers. Both 44" & 57" models.



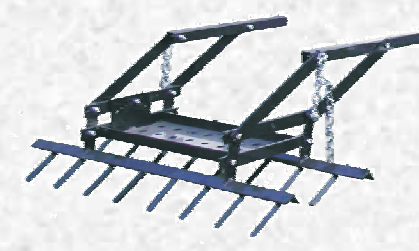
### Floatation Kit

- Great for mowing around ponds and on rough uneven ground where scalping would normally occur.
- Clamping style receiver allows for adjustments from side to side with both the front and rear tires.
- Pinned receivers make for quick kit removal when not needed.
- Works on all existing and new rough cut mowers.
- Kits available for both 44" & 57" models.



### Electric Lift Kit

- Great for constantly changing terrain and grass/brush heights.
- Allows for quick cutting height changes on the go from the seat of the tow vehicle.
- Raise up and over rocks and logs with ease.
- Heavy duty 1500 lb linear screw actuator made by Linak.
- Works on all existing and new rough cut mowers.
- Kits available for both 44" & 57" models.



### Drag Harrow

- Great for final seedbed preparation.
- Levels ground and helps to reduce clod size.
- Spike angle can be adjusted from vertical to horizontal with a total of seven positions.
- Four bar link system allows the harrow to float and follow the contour of the ground.
- Drag harrow height is adjustable with side chains.
- Weight rack for conditions when extra weight is needed.
- Quickly and easily pins into the frame of the Model 543.



### Turning Shovel Kit

- Great for initial tillage in light sod conditions.
- Turning shovels act similar to a moldboard plow and turn the sod ribbon to the side.
- Easier to pull and much less troublesome than normal sweeps in light sod.
- Kit consists of three turning shovels and mounting hardware.
- Simply bolts onto the existing shanks on the Model 543.
- Use one, two or three shovels depending on ATV size and ground conditions.

**Kunz Engineering Inc.** is a family owned business that was established in 1992. What started out as a hobby in 1986 for founder and current president Gary Kunz has lead into the development of innovative products that are considered a premium grade in their respective industries. Our goal is to design and manufacture the best products we can. Our design criteria is actually quite simple. The products we design have to be durable and capable of performing above and beyond our competitors. We stand behind all of the products we sell and the Kunz family name only gets placed on the best. You can count on the rugged durability and performance of our products to get your job done. Here at Kunz Engineering Inc. we not only design the equipment we sell but we also use our equipment on a regular basis. If you have any questions at all, please give us a call and let one of Kunz Engineering's knowledgeable representatives quickly and accurately answer your questions. **Don't let another season pass by. Experience the difference of a Kunz Engineering product today!**



**2100 Welland Rd.  
Mendota, IL 61342  
(815) 539-6954**

***Sold By:***

**www.kunzeng.com • Email: [info@kunzeng.com](mailto:info@kunzeng.com)**

*\*Kunz Engineering reserves the right to change specifications or discontinue products without notice.*